



STABICOR™

Strong & Stylish rainwater gutter system



STABICOR™

StabiCor™ is a high quality rainwater management solution that is designed with exceptional durability and reliability, thus offering a long-lasting preventive solution to curb algae growth on walls and maintain the beauty of your house. It is made from high tensile Aluminium Zinc for enduring colour consistency and corrosion resistance to withstand our harsh weather conditions. It also enhances the water-tightness of the roof and ensures that direct rainwater impact onto the lower roof and accumulation of drainage can be prevented.

StabiCor™'s unique design is intended to cater to our tropical weather; hence its ability to catch high volumes of rainwater. With up to 6m of seamless gutter length, innovative invisible brackets and classic design, StabiCor™ offers excellent aesthetic value and is ideal for both contemporary and traditional building structures.



DURABLE

- High strength Aluminium Zinc
- High corrosion resistance
- Proven design that promotes rapid rainwater flow



AESTHETICS

- Innovative invisible bracket system
- Unique & seamless design (up to 6 m)
- 3 colours for your preferred choice

MORE POWER TO YOUR ROOF

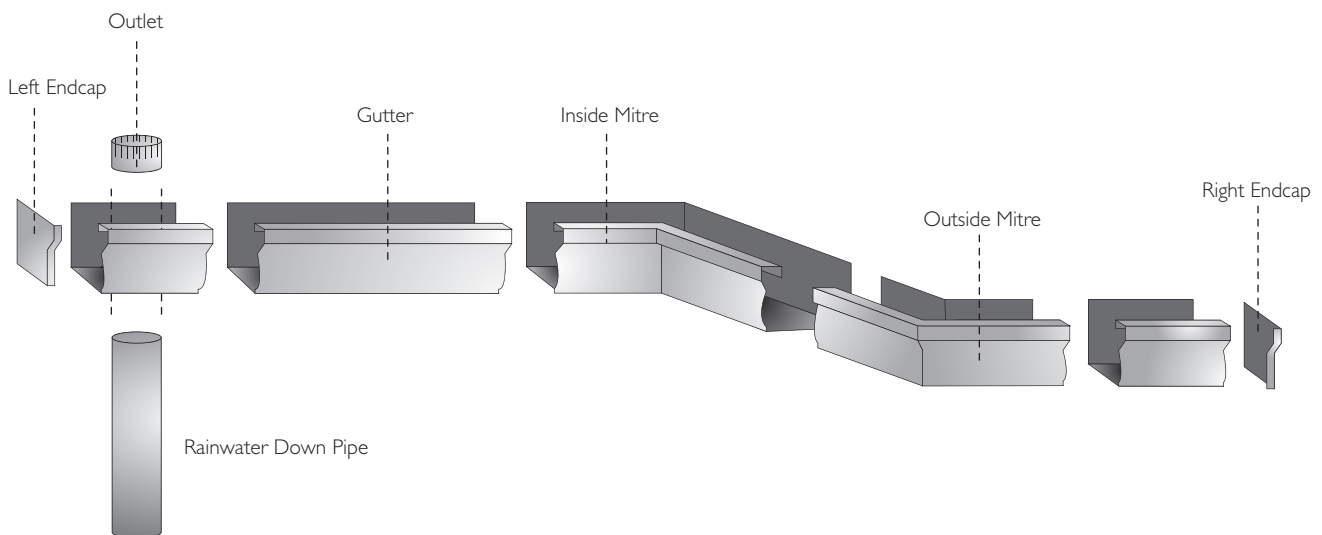
Product Data

Rainwater gutter

Base Material	Aluminium Zinc G550-AZ150
Girth Size	450 mm / 600 mm
Material Thickness	0.47 mm TCT
Standard Colours	Brown / Grey / Beige
Bracket Spacing	1.2 m (concealed-type)

Rainwater downpipe

Base Material	UPVC
Type	Round
Inner Diameter	100mm
Remarks	SIRIM approved



For more product information or enquiries, call toll free **1800 88 0865**,
Email us at: roofing-malaysia@monier.com or visit www.monier.com.my



The Best Brands in Roof Systems
by The BrandLaureate Awards for
4 Consecutive Years 2008 - 2011



Recognized for our CSR
efforts, Monier was honoured
with an Asia Responsible
Entrepreneur Award 2011



Member of the Malaysia Green
Building Confederation

Contact details :